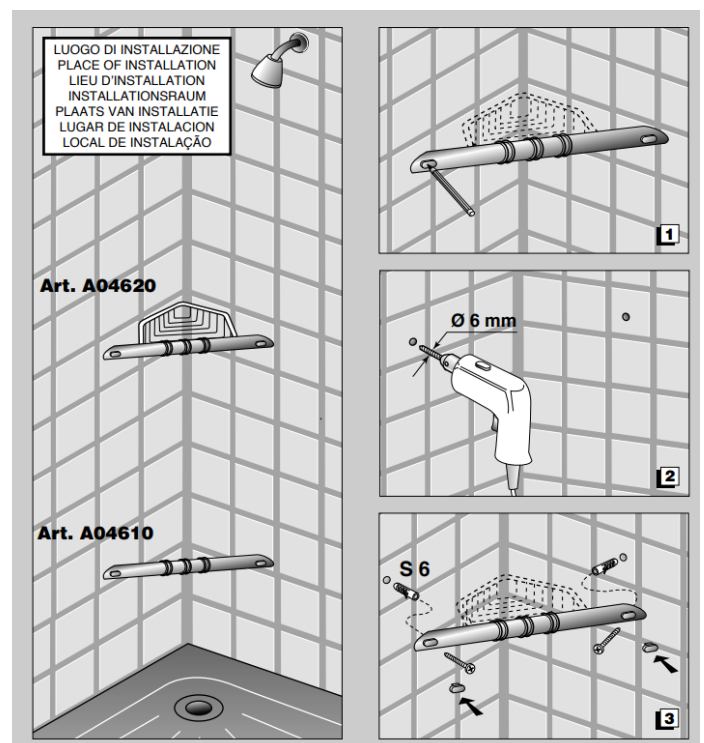
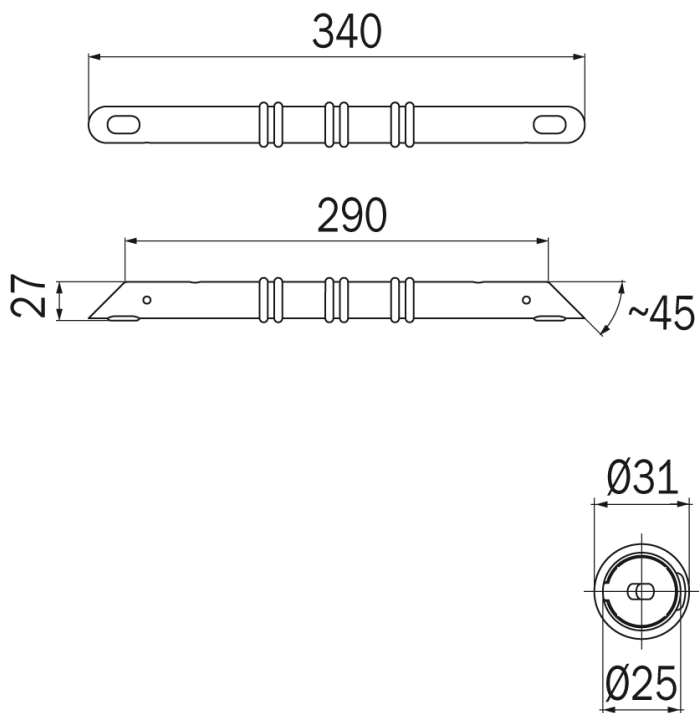


HOTELLERIE CORNER SHOWER FOOT REST



Code - A0461 CR - Chrome
Code - A04610 NE - Matte Black
Code - A04610 AC - Brushed nickel

2 Year Replacement Warranty



Proudly imported and distributed by
Gro Agencies Pty Ltd
Unit 2 / 37 Howe St, Osborne Park, WA, 6017
P 08 9446 3288 E info@groagencies.com.au W www.groagencies.com.au

